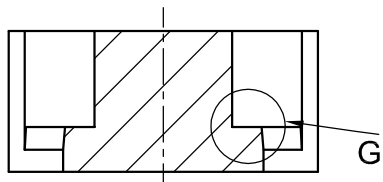
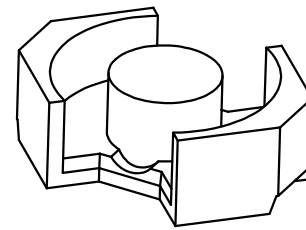
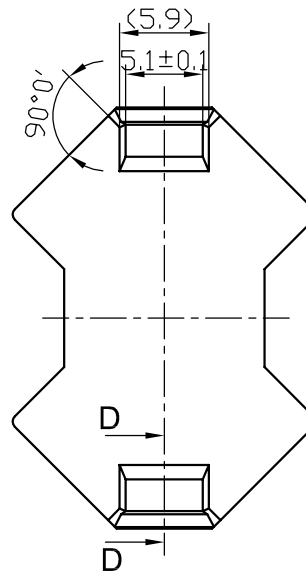
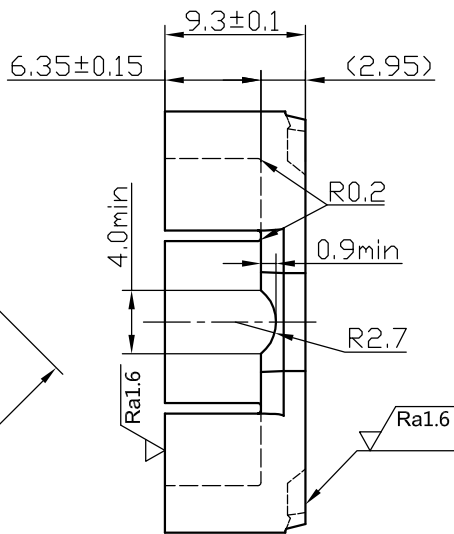
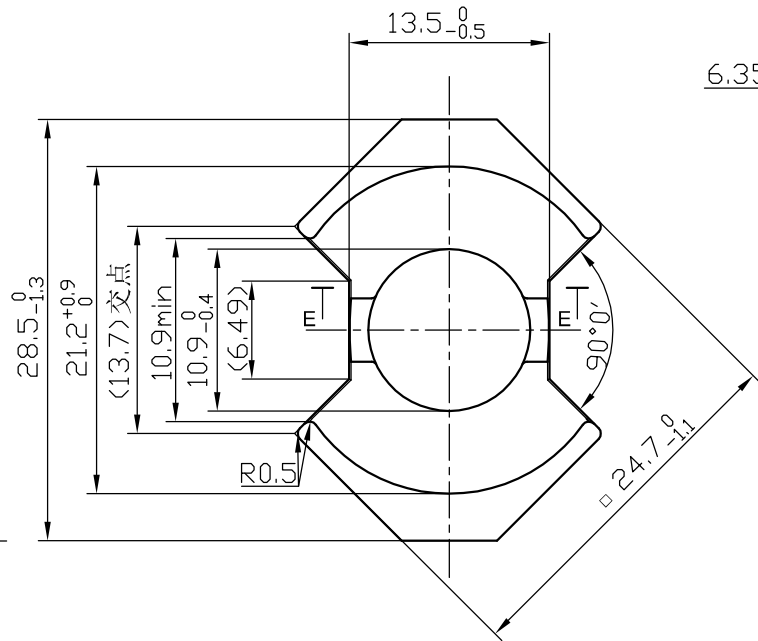
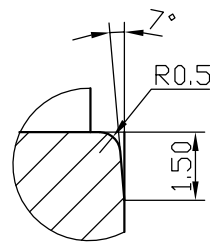


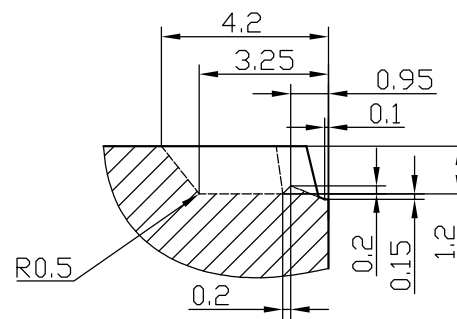
REVISION HISTORY			
Rev	DESCRIPTION	DATE	APPROVED



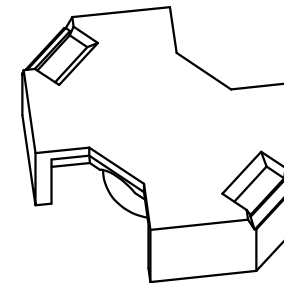
Section E-E



Detail G



Section D-D



	Scale	Material	Customer Part number		
	2: 1		RM-10/I		
Unit:	Standard tolerances		Product Name		
mm	±0.1		RM-10S		
Approved by	Created by	Document type	Rev	Drawing No.	
Y.Higuchi	Jh.Huang	Production drawing	00	PY180421M01	
Hitachi Metals (Hong kong) Ltd. Panyu Factory			Date of issue	Sheet	
			APR 21 2018	1/1	